

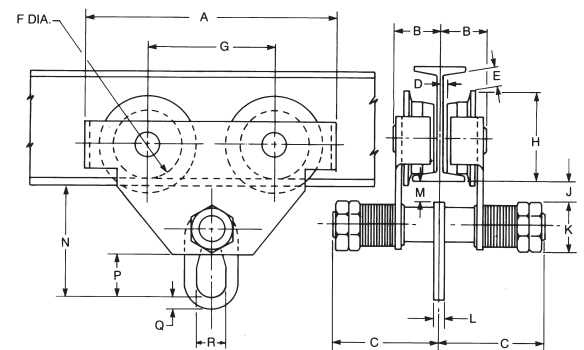
Series 633 LoadLifter Ball Bearing Trolley



- Rugged steel side plates formed to include bumpers and trolley guards
- Frames connected by steel equalizer pin, secured by two nuts on each side
- Universal tread flanged trackwheels equipped with shielded ball bearings
- Easy rolling on American standard shaped, wide flange shapes or patented rail
- Hardened wheels and axles for added strength and durability
- Spacer washers can be shifted inside or outside for easy adjustment to wide range of beams
- To be used with hook suspended hoists
- Suspension plate for easy attachment is standard
- Bearings prepacked with lifetime lubricant
- One-year warranty

Specifications & Dimensions

Capacity tons	Model #	Depth in	Flange Width in	Tread Dia. Of Wheels in	Min. Curve Rad. in	Net Weight in
1/2	922085	3-15	2-1/2 to 5-5/8	2-9/32	35	17
1	922086	5-24	3 to 8	3-15/32	35	35
2	922087	6-24	3-5/8 to 8	3-15/16	59	53
3	922088	8-24	4 to 8	5-1/8	71	101
5	922089	10-24	4-5/8 to 8	6-1/8	94	145



Capacity tons	Model #	A in	B in	C in	D in	E in	F in	G in	H in	J in	K in	L in	M in	N in	P in	Q in	R in
1/2	922085	8-1/2	2-5/32	5-1/16	1/16	-1/4	2-9/32	4	3	1-1/32	1-3/4	1/2	15/16	4-3/32	1-7/32	19/32	31/32
1	922086	10-13/16	2-13/32	6-9/16	7/16	11/32	3-15/32	4-7/8	4-11/32	1-1/32	2-3/32	1/2	31/32	5-1/16	1-3/4	19/32	1-5/32
2	922087	12-7/32	2-11/16	6-25/32	13/32	25/32	3-15/16	5-1/2	4-29/32	25/32	2-1/2	5/8	11/16	5-13/16	2-5/32	13/16	1-5/8
3	922088	14-13/16	3-1/16	7-13/32	1/2	1-7/16	5-1/8	6-9/16	6-1/8	1-3/16	3-13/32	5/8	15/16	7-7/16	2-9/16	1-3/8	1-31/32
5	922089	18-1/8	3-21/32	8	9/16	2-3/16	6-1/8	7-7/8	7-9/32	2-1/8	3-13/32	13/16	1-7/16	9-15/16	3-23/32	1-25/32	2-9/16