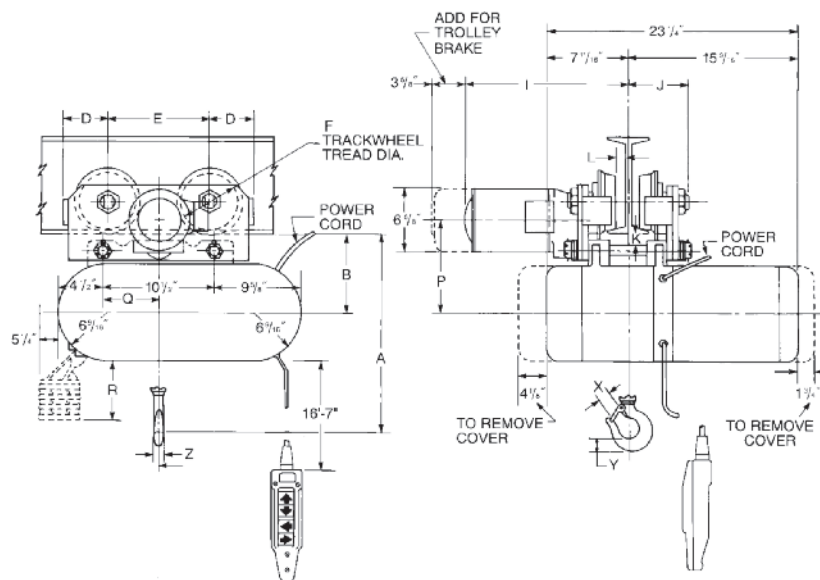


Powerstar with motor driven trolley

2, 3, 4, 5 & 6 ton capacities



Clearance dimensions (in.)

Dimension	Rated capacity* (tons)				
	2	3	4	5	6
A	30 ¹⁵ / ₁₆	31 ¹ / ₂	36 ⁹ / ₁₆	36 ⁹ / ₁₆	36 ⁹ / ₁₆
B	9 ¹³ / ₁₆	10 ³ / ₈	10 ³ / ₈	10 ³ / ₈	10 ³ / ₈
D	3 ¹ / ₂	4 ⁹ / ₁₆	4 ⁹ / ₁₆	4 ⁹ / ₁₆	4 ⁹ / ₁₆
E	9 ¹ / ₂	10 ¹ / ₂	10 ¹ / ₂	10 ¹ / ₂	10 ¹ / ₂
F	4 ¹¹ / ₁₆	5 ¹³ / ₁₆	5 ¹³ / ₁₆	5 ¹³ / ₁₆	5 ¹³ / ₁₆
I	17 ⁷ / ₁₆	18 ⁵ / ₈	18 ⁵ / ₈	18 ⁵ / ₈	18 ⁵ / ₈
J	5	6 ¹ / ₄	6 ¹ / ₄	6 ¹ / ₄	6 ¹ / ₄
K	1 ¹ / ₁₆	1 ¹ / ₄	1 ¹ / ₄	1 ¹ / ₄	1 ¹ / ₄
L	1/2	1 ⁵ / ₁₆	1 ⁵ / ₁₆	1 ⁵ / ₁₆	1 ⁵ / ₁₆
P	11 ⁹ / ₁₆	11 ¹⁵ / ₁₆	11 ¹⁵ / ₁₆	11 ¹⁵ / ₁₆	11 ¹⁵ / ₁₆
Q	3 ³ / ₄	3 ³ / ₄	5 ⁷ / ₈	5 ⁷ / ₈	5 ⁷ / ₈
R**	18 ¹ / ₁₆	18 ¹ / ₁₆	26 ³ / ₁₆	26 ³ / ₁₆	26 ³ / ₁₆
X	1 ⁵ / ₈	1 ⁵ / ₈	2 ⁵ / ₁₆	2 ⁵ / ₁₆	2 ⁵ / ₁₆
Y	1 ¹ / ₁₆	1 ¹ / ₁₆	2 ⁹ / ₁₆	2 ⁹ / ₁₆	2 ⁹ / ₁₆
Z	1 ¹ / ₄	1 ¹ / ₄	1 ¹³ / ₁₆	1 ¹³ / ₁₆	1 ¹³ / ₁₆

**Applies to 20 foot lift units

All dimensions are in inches and are based on minimum American standard section

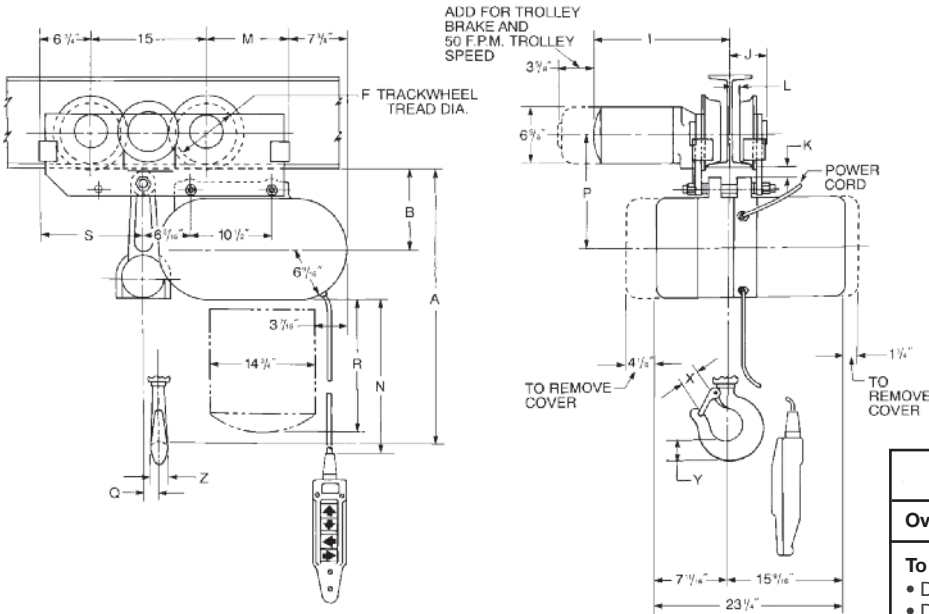
Specifications — trolley

Rated capacity* (tons)	Speed (F.P.M.)	Product code		Approx. shipping weight (lbs.)	Standard range of adjustability Am. std. S-beam		Min. radius curve (in.)
		230-3-60	460-3-60		Min. beam size	Max. beam size	
2	65	7064	7065	168	S6 x 12.5# x 3.33"	S15 x 42.9# x 5.5"	48
2	100	7066	7067	168	S6 x 12.5# x 3.33"	S15 x 42.9# x 5.5"	48
3	50	7068	7069	250	S12 x 31.8# x 5"	S20 x 66# x 6.25"	66
4	50	7545	7585	255	S12 x 31.8# x 5"	S20 x 66# x 6.25"	66
5	50	7070	7071	255	S12 x 31.8# x 5"	S20 x 66# x 6.25"	66
6	50	7072	7073	255	S12 x 31.8# x 5"	S20 x 66# x 6.25"	66

Apply for other than standard trolley speeds and for other than standard beam adjustment

Powerstar with motor driven trolley

7½, 9, 10, 12 & 15 ton capacities



*** ⚠ WARNING**

Overloading and improper use can result in injury.

To avoid injury:

- Do not exceed working load limit, load rating capacity
- Do not use to lift people or loads over people.
- use only alloy chain for overhead lifting.
- Read and follow all instructions.

Clearance dimensions (in.)

Dimension	Rated capacity* (tons)				
	7½	9	10	12	15
A	39 ³ / ₈	41 ³ / ₁₆	41 ³ / ₁₆	41 ³ / ₁₆	47 ¹⁵ / ₁₆
B	11 ¹³ / ₁₆	11 ¹³ / ₁₆	11 ¹³ / ₁₆	11 ⁹ / ₁₆	11 ⁹ / ₁₆
F	8	8	8	8	8
I	18	18 ¹ / ₄	18 ¹ / ₄	19 ⁵ / ₈	18 ⁷ / ₁₆
J	5 ¹ / ₈	5 ³ / ₈	5 ³ / ₈	5 ⁷ / ₈	5 ⁷ / ₈
K	1½	1 ⁷ / ₁₆	1 ⁷ / ₁₆	1¼	1¼
L	¾	1 ⁵ / ₁₆	1 ⁵ / ₁₆	1 ¹ / ₁₆	1 ¹ / ₁₆
M	10 ³ / ₄	10 ³ / ₄	10 ³ / ₄	10 ³ / ₄	13 ³ / ₁₆
N**	17'-10"	17'-10"	17'-10"	17'-10"	17'-10"
P	16 ⁵ / ₁₆	16 ⁵ / ₁₆	16 ⁵ / ₁₆	16 ⁵ / ₁₆	16 ⁵ / ₁₆
Q	1 ⁵ / ₁₆	1 ⁵ / ₁₆	1 ⁵ / ₁₆	0	-1 ³ / ₁₆
R**	21½	21½	21½	26 ¹ / ₈	31 ¹ / ₈
S	12 ¹³ / ₁₆	12 ¹³ / ₁₆	12 ¹³ / ₁₆	12 ¹³ / ₁₆	16 ¹ / ₁₆
X	2 ⁵ / ₁₆	3	3	3	3 ⁵ / ₈
Y	2 ⁹ / ₁₆	3	3	3	3 ⁵ / ₈
Z	1 ¹³ / ₁₆	2 ³ / ₈	2 ³ / ₈	2 ³ / ₈	3

**Applies to 20 foot lift units.

All dimensions are in inches and are based on minimum American standard section

Specifications — trolley

Rated capacity* (tons)	Speed (F.P.M.)	Product code		Approx. shipping weight (lbs.)	Standard range of adjustability Am. std. S-beams		Min. radius curve (in.)
		230-3-60	460-3-60		Min. beam size	Max. beam size	
7½	35	7224	7224	390	S15 x 42.9# x 5.5"	S24 x 100# x 7.25"	120
9	35	7225	7225	390	S18 x 54.7# x 6"	S24 x 121# x 8"	120
10	35	7226	7226	390	S18 x 54.7# x 6"	S24 x 121# x 8"	120
12	35	7227	7227	390	S20 x 86# x 7"	S24 x 121# x 8"	120
15	35	7571	7299	405	S20 x 86# x 7"	S24 x 121# x 8"	120

Apply for other than standard trolley speeds and other than standard beam adjustment



Powerstar electric chain hoist

Designed specifically as an alternative to wire rope hoists for high speed lifting of loads from 2 to 20 tons in a space saving chain hoist.



- H-4 or better rated duty cycle
- Designed for heavy-duty industrial applications from 2 to 20 ton capacities
- Liftwheel has machined chain pockets and is heat treated alloy steel for maximum strength and wear resistance
- Efficient regenerative braking system avoids heat generation in power train
- Motors up to 7 1/2 h.p. provide a wide range of lifting speeds
- Single or two speed controls. Two speed models operate on 3:1 speed ratio
- Standard adjustable upper and lower screw limit switches
- Standard overload Protector device
- Hoist alloy load chain can be easily inspected for wear and abuse
- True vertical lift
- Factory tested to 125% of rated capacity prior to shipment
- Metric rated except for 10 & 20 ton capacities
- Rugged aluminum alloy hoist frame
- Chain guide surrounds liftwheel
- Machined and hardened steel Helical gears used throughout hoist for optimum performance and mechanical efficiency.
- Extensive use of life-lubricated bearings plus sealed oil bath power train reservoir for minimum maintenance.
- Dual braking system
- Heavy duty, industrial single speed controls include magnetic reversing contactor which operates on 115 volts provided by a control transformer.
- Totally enclosed, ball bearing, 30 minute rated, thermally protected, hoist duty motor is standard.
- Push button control is weatherproof (NEMA 4 rated).
- Drop of push button control is 4 ft. above hook at lowest position, unless otherwise specified.
- External push button chain strain relief is standard.
- Power cord length is 2 1/2 ft. unless otherwise specified.
- Trolley design permits easy adjustment for installation on a broad range of beam flange widths.
- Trolley wheels have double row, tapered roller bearings plus machined and hardened universal treads to permit operation on American Standard or flat flanged sections interchangeably.
- Spur gearing used in all motorized trolleys for improved efficiency and durability.
- Drop of hand chain on geared trolleys is 2 ft. above hook at lowest position, unless otherwise specified.
- Designed to be maintained "on the beam."
- Up to 600 lineal feet of chain
- Weatherproof (NEMA3R)
- Lifetime warranty
- Made in U.S.A.

* WARNING

Overloading and improper use can result in injury.

To avoid injury:

- Do not exceed working load limit, load rating capacity
- Do not use to lift people or loads over people.
- use only alloy chain for overhead lifting.
- Read and follow all instructions.

Powerstar-Specifications

Specifications – standard unit

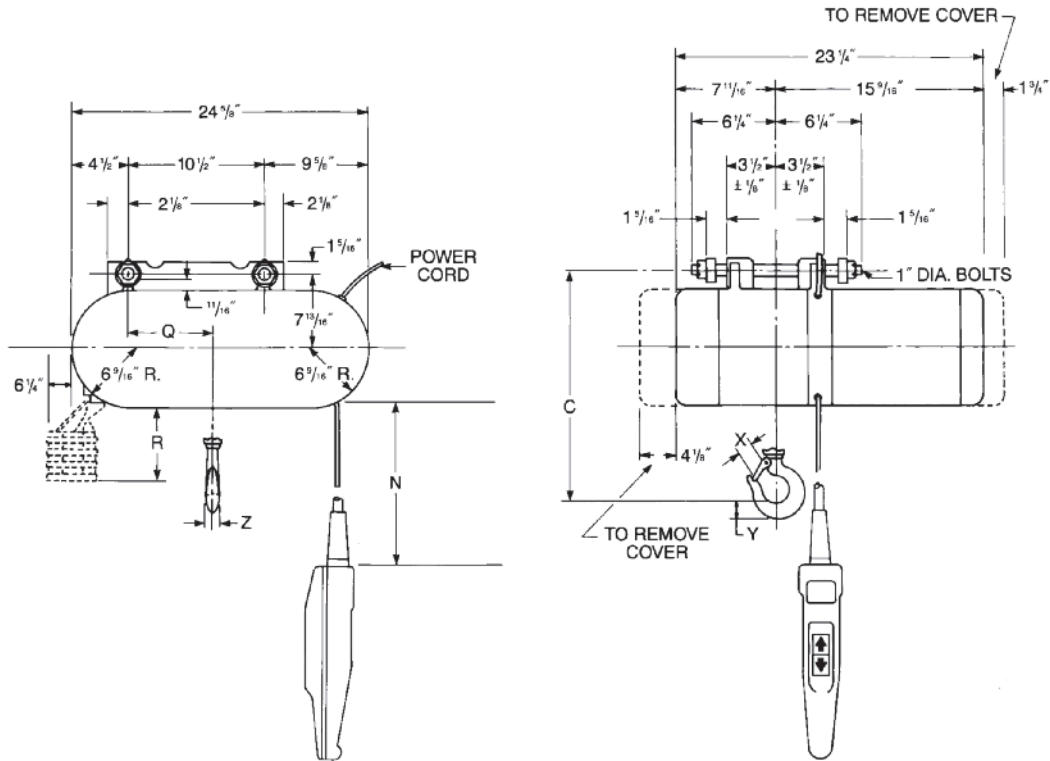
Rated capacity* (tons)	Single speed		Two speed				Reeving (single)	Std. lift** (ft.)	HP	Headroom w/lug suspension (in.)	Headroom w/trolley suspension (in.)	Hoist only approx. shipping weight	
	Lifting speed (F.P.M.)	Product code 230-3-60	Product code 460-3-60	Lifting speed (F.P.M.)	Product code 230-3-60	Product code 460-3-60						Single speed hoist (lbs.)	Two speed hoist (lbs.)
2	20	7300	7301	20/7	7302	7303	1	20	5	28 ¹⁵ / ₁₆	30 ¹⁵ / ₁₆	392	402
	24	7001	7002	24/8	7003	7004	1	20	5	28 ¹⁵ / ₁₆	30 ¹⁵ / ₁₆	392	402
	32	7304	7305	32/11	7306	7037	1	20	5	28 ¹⁵ / ₁₆	30 ¹⁵ / ₁₆	404	414
	40	7005	7006	40/13	7007	7008	1	20	5	28 ¹⁵ / ₁₆	30 ¹⁵ / ₁₆	404	414
	48	7308	7309	48/16	7310	7311	1	20	7.5	28 ¹⁵ / ₁₆	30 ¹⁵ / ₁₆	408	418
3	20	7312	7313	20/7	7314	7315	1	20	5	28 ¹⁵ / ₁₆	31 ¹ / ₂	404	414
	24	7009	7010	24/8	7011	7012	1	20	5	28 ¹⁵ / ₁₆	31 ¹ / ₂	404	414
	32	7316	7317	32/11	7318	7319	1	20	7.5	28 ¹⁵ / ₁₆	31 ¹ / ₂	408	418
	40	7013	7014	40/13	7015	7016	1	20	7.5	28 ¹⁵ / ₁₆	31 ¹ / ₂	408	418
4	10	7320	7321	10/3	7322	7323	2	20	5	34	36 ⁹ / ₁₆	478	488
	12	7324	7325	12/4	7326	7327	2	20	5	34	36 ⁹ / ₁₆	490	500
	16	7328	7329	16/5	7330	7331	2	20	5	34	36 ⁹ / ₁₆	490	500
	20	7332	7333	20/7	7334	7335	2	20	7.5	34	36 ⁹ / ₁₆	490	500
	24	7336	7337	24/8	7338	7339	2	20	7.5	34	36 ⁹ / ₁₆	494	504
5	10	7340	7341	10/3	7342	7343	2	20	5	34	36 ⁹ / ₁₆	478	488
	12	7344	7345	12/4	7346	7347	2	20	5	34	36 ⁹ / ₁₆	478	488
	16	7029	7030	16/5	7031	7032	2	20	5	34	36 ⁹ / ₁₆	490	500
	20	7348	7349	20/7	7350	7351	2	20	7.5	34	36 ⁹ / ₁₆	494	500
	24	7017	7018	24/8	7019	7020	2	20	7.5	34	36 ⁹ / ₁₆	494	504
6	10	7352	7353	10/3	7354	7355	2	20	5	34	36 ⁹ / ₁₆	548	558
	12	7052	7053	12/4	7054	7055	2	20	5	34	36 ⁹ / ₁₆	548	558
	16	7356	7357	16/5	7358	7359	2	20	7.5	34	36 ⁹ / ₁₆	552	562
	20	7056	7057	20/7	7058	7059	2	20	7.5	34	36 ⁹ / ₁₆	552	562
7 ¹ / ₂	7	7360	7361	7/2	7362	7363	3	20	5	Apply	39 ³ / ₈	594	604
	8	7364	7365	8/3	7366	7367	3	20	5	Apply	39 ³ / ₈	606	616
	11	7368	7369	11/4	7370	7371	3	20	5	Apply	39 ³ / ₈	606	616
	14	7372	7373	14/5	7374	7375	3	20	7.5	Apply	39 ³ / ₈	622	632
	16	7376	7377	16/5	7378	7379	3	20	7.5	Apply	39 ³ / ₈	622	632
9	7	7380	7381	7/2	7382	7383	3	20	5	Apply	41 ³ / ₁₆	610	620
	8	7384	7385	8/3	7386	7387	3	20	5	Apply	41 ³ / ₁₆	610	620
	11	7388	7389	11/4	7390	7391	3	20	7.5	Apply	41 ³ / ₁₆	626	636
	13	7392	7393	13/4	7394	7395	3	20	7.5	Apply	41 ³ / ₁₆	626	636
10	7	7396	7397	7/2	7398	7399	3	20	5	Apply	41 ³ / ₁₆	610	620
	8	7400	7401	8/3	7402	7403	3	20	5	Apply	41 ³ / ₁₆	610	620
	11	7404	7405	11/4	7406	7407	3	20	7.5	Apply	41 ³ / ₁₆	626	636
	13	7408	7409	13/4	7410	7411	3	20	7.5	Apply	41 ³ / ₁₆	626	636
12	5	7412	7413	5/2	7414	7415	4	20	5	Apply	41 ³ / ₁₆	710	720
	6	7416	7417	6/2	7418	7419	4	20	5	Apply	41 ³ / ₁₆	710	720
	8	7420	7421	8/3	7422	7423	4	20	7.5	Apply	41 ³ / ₁₆	726	736
	10	7424	7425	10/3	7426	7427	4	20	7.5	Apply	41 ³ / ₁₆	726	736
15	4	7428	7429	4/1.3	7430	7431	5	20	5	Apply	47 ⁵ / ₁₆	805	815
	5	7432	7433	5/1.5	7434	7435	5	20	5	Apply	47 ⁵ / ₁₆	805	815
	6	7436	7437	6/2	7438	7439	5	20	7.5	Apply	47 ⁵ / ₁₆	817	827
	8	7440	7441	8/2.5	7442	7443	5	20	7.5	Apply	47 ⁵ / ₁₆	817	827

** 20 ft. lift is standard — for other lifts, apply.



Powerstar with lug suspension

2, 3, 4, 5 & 6 ton capacities (for 7½ - 15 ton capacities, consult factory)



Clearance dimensions (in.)

Dimension	Rated capacity* (tons)				
	2	3	4	5	6
C	28 ¹⁵ / ₁₆	28 ¹⁵ / ₁₆	34	34	34
N**	16'-7"	16'-7"	16'-7"	16'-7"	16'-7"
Q	3 ³ / ₄	3 ³ / ₄	5 ⁷ / ₈	5 ⁷ / ₈	5 ⁷ / ₈
R**	18 ¹ / ₁₆	18 ¹ / ₁₆	26 ³ / ₁₆	26 ³ / ₁₆	26 ³ / ₁₆
X	1 ⁵ / ₈	1 ⁵ / ₈	2 ⁵ / ₁₆	2 ⁵ / ₁₆	2 ⁵ / ₁₆
Y	1 ¹ / ₁₆	1 ¹ / ₁₆	2 ⁹ / ₁₆	2 ⁹ / ₁₆	2 ⁹ / ₁₆
Z	1 ¹ / ₄	1 ¹ / ₄	1 ¹³ / ₁₆	1 ¹³ / ₁₆	1 ¹³ / ₁₆

**Applies to 20 foot lift units

All dimensions are in inches and are based on minimum American standard section.

* WARNING

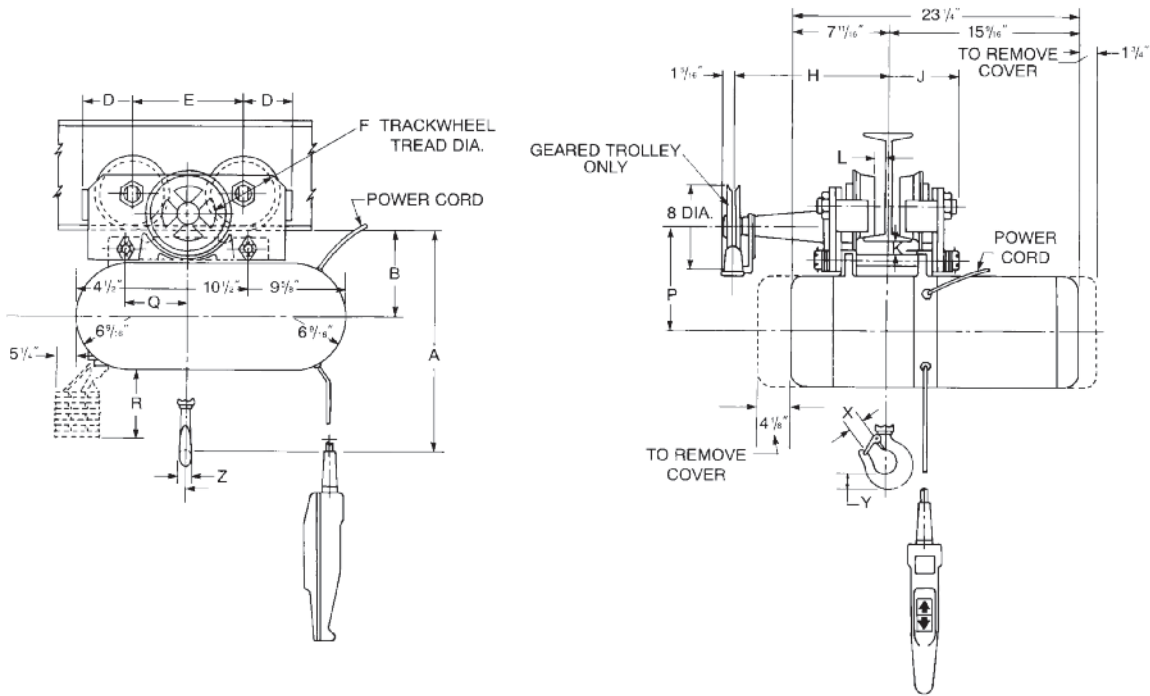
Overloading and improper use can result in injury.

To avoid injury:

- Do not exceed working load limit, load rating capacity
- Do not use to lift people or loads over people.
- use only alloy chain for overhead lifting.
- Read and follow all instructions.

Powerstar with plain or geared trolley

2, 3, 4, 5 & 6 ton capacities



Clearance dimensions (in.)

Dimension	Rated capacity* (tons)				
	2	3	4	5	6
A	30 ¹⁵ / ₁₆	31 1/2	36 ⁹ / ₁₆	36 ⁹ / ₁₆	36 ⁹ / ₁₆
B	9 ¹³ / ₁₆	10 ³ / ₈	10 ³ / ₈	10 ³ / ₈	10 ³ / ₈
D	3 1/2	4 ⁹ / ₁₆	4 ⁹ / ₁₆	4 ⁹ / ₁₆	4 ⁹ / ₁₆
E	9 1/2	10 1/2	10 1/2	10 1/2	10 1/2
F	4 ¹¹ / ₁₆	5 ¹³ / ₁₆	5 ¹³ / ₁₆	5 ¹³ / ₁₆	5 ¹³ / ₁₆
H	12 ¹³ / ₁₆	14 1/8	14 1/8	14 1/8	14 1/8
J	5	6 1/4	6 1/4	6 1/4	6 1/4
K	1 ¹ / ₁₆	1 1/4	1 1/4	1 1/4	1 1/4
L	1/2	1 ⁵ / ₁₆	1 ⁵ / ₁₆	1 ⁵ / ₁₆	1 ⁵ / ₁₆
P	11 ⁹ / ₁₆	11 ¹⁵ / ₁₆	11 ¹⁵ / ₁₆	11 ¹⁵ / ₁₆	11 ¹⁵ / ₁₆
Q	3 3/4	3 3/4	5 ⁷ / ₈	5 ⁷ / ₈	5 ⁷ / ₈
R**	18 ¹ / ₁₆	18 ¹ / ₁₆	26 ³ / ₁₆	26 ³ / ₁₆	26 ³ / ₁₆
X	1 ⁵ / ₈	1 ⁵ / ₈	2 ⁵ / ₁₆	2 ⁵ / ₁₆	2 ⁵ / ₁₆
Y	1 ¹ / ₁₆	1 ¹ / ₁₆	2 ⁹ / ₁₆	2 ⁹ / ₁₆	2 ⁹ / ₁₆
Z	1 1/4	1 1/4	1 ¹³ / ₁₆	1 ¹³ / ₁₆	1 ¹³ / ₁₆

**Std. 20 foot lift

All dimensions are in inches and are based on minimum American standard section.

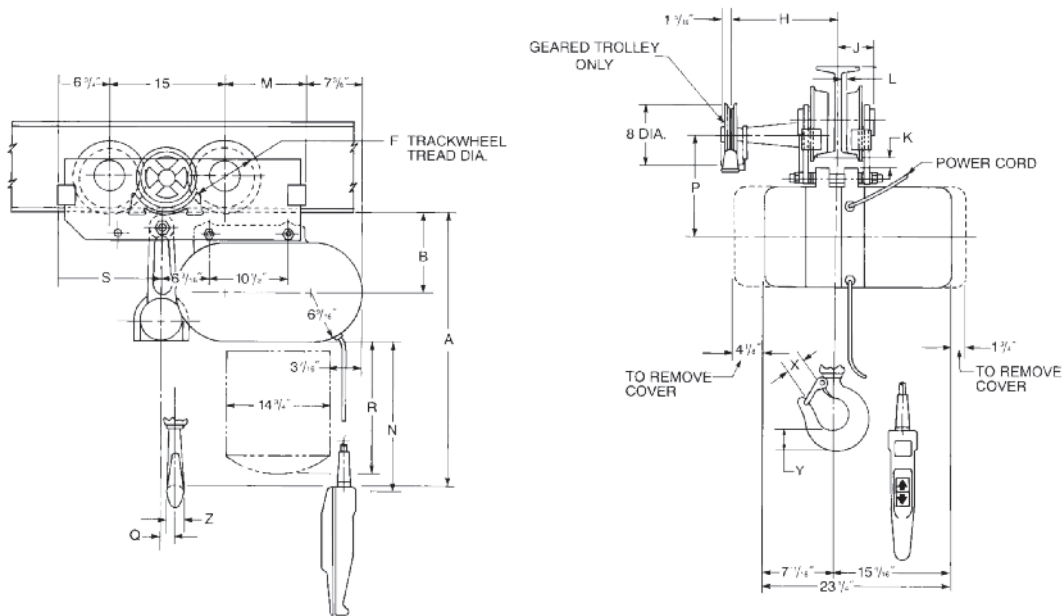
Specifications

Rated capacity* (tons)	Plain trolley		Geared trolley†		Std. range of adjust. Am. std. S-beams		Min. radius curve (in.)
	Product code	Shipping weight (lbs.)	Product code	Shipping weight (lbs.)	Min. beam size	Max. beam size	
2	5973	98	5964	175	S6 x 12.5# x 3.33"	S15 x 42.9# x 5.5"	48
3-6	5971	176	5972	295	S12 x 31.8# x 5"	S20 x 65.4# x 6.25"	66

† Standard hand chain drop is in proportion to 20 ft. lift. For other lifts, apply to the factory.

Powerstar with plain or geared trolley

7½, 9, 10, 12 & 15 ton capacities



Clearance dimensions (in.)

Dimension	Rated capacity* (tons)				
	7½	9	10	12	15
A	39 ³ / ₈	41 ³ / ₁₆	41 ³ / ₁₆	41 ³ / ₁₆	47 ¹⁵ / ₁₆
B	11 ¹³ / ₁₆	11 ¹³ / ₁₆	11 ¹³ / ₁₆	11 ⁹ / ₁₆	11 ⁹ / ₁₆
F	8	8	8	8	8
H	14	14¼	14¼	14 ³ / ₄	13 ¹³ / ₁₆
J	5 ¹ / ₈	5 ³ / ₈	5 ³ / ₈	5 ⁷ / ₈	5 ⁷ / ₈
K	1½	1 ⁷ / ₁₆	1 ⁷ / ₁₆	1¼	1¼
L	¾	1 ⁵ / ₁₆	1 ⁵ / ₁₆	1 ¹ / ₁₆	1 ¹ / ₁₆
M	10 ³ / ₄	10 ³ / ₄	10 ³ / ₄	10 ³ / ₄	13 ³ / ₁₆
N**	17'-10"	17'-10"	17'-10"	17'-10"	17'-10"
P	16 ⁵ / ₁₆	16 ⁵ / ₁₆	16 ⁵ / ₁₆	16 ⁵ / ₁₆	16 ⁵ / ₁₆
Q	1 ⁵ / ₁₆	1 ⁵ / ₁₆	1 ⁵ / ₁₆	0	-1 ¹³ / ₁₆
R**	21½	21½	21½	26 ¹ / ₈	31 ¹ / ₈
S	12 ¹³ / ₁₆	12 ¹³ / ₁₆	12 ¹³ / ₁₆	12 ¹³ / ₁₆	16 ¹ / ₆
X	2 ⁵ / ₁₆	3	3	3	3 ⁵ / ₈
Y	2 ⁹ / ₁₆	3	3	3	3 ⁵ / ₈
Z	1 ¹³ / ₁₆	2 ³ / ₈	2 ³ / ₈	2 ³ / ₈	3

**Applies to 20 foot lift units

All dimensions are in inches and are based on minimum American standard section.

Specifications

Rated capacity* (tons)	Plain trolley		Geared trolley†		Std. range of adjust. Am. std. S-beams		Min. radius curve (in.)
	Product code	Shipping weight (lbs.)	Product code	Shipping weight (lbs.)	Min. beam size	Max. beam size	
7½	7205	335	7209	395	S15 x 42.9# x 5.5"	S24 x 100# x 7.25"	120
9	7206	335	7210	395	S18 x 54.7# x 6"	S24 x 121# x 8"	120
10	7207	335	7211	395	S18 x 54.7# x 6"	S24 x 121# x 8"	120
12	7208	335	7212	395	S20 x 86# x 7"	S24 x 121# x 8"	120
15	7530	350	7532	410	S20 x 86# x 7"	S24 x 121# x 8"	120

† Standard hand chain drop is in proportion to 20 ft. lift. For other chain drops, apply to factory.