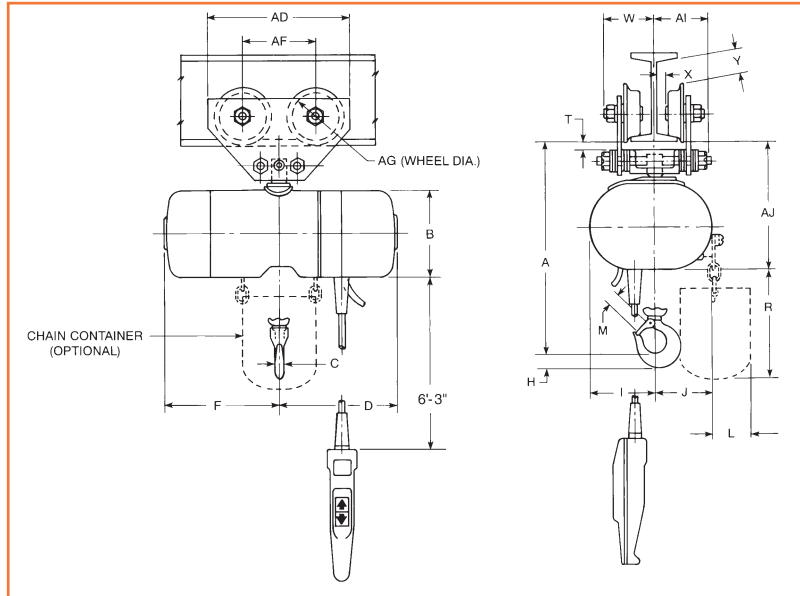


Lodestar with Series 635 low headroom trolley



Clearance dimensions (in.)

Dimension	Lodestar models					
	A,B,C,F and AA	E and H	J, L, JJ and LL	R	RR	RT and RRT
A	16 ⁵ / ₁₆	19 ¹ / ₄	18 ¹ / ₄	23 ³ / ₄	23 ³ / ₄	30 ¹ / ₈
B	6 ¹ / ₈	6 ¹ / ₈	7 ⁵ / ₈	7 ⁵ / ₈	7 ⁵ / ₈	7 ⁵ / ₈
C	1 ¹ / ₁₆	7 ⁷ / ₈	7 ⁷ / ₈	1 ¹ / ₈	1 ¹ / ₈	1 ¹ / ₈
D	11	11	9 ¹ / ₂	9 ¹ / ₂	9 ¹ / ₂	9 ¹ / ₂
F	7 ³ / ₄	7 ³ / ₄	10 ¹¹ / ₁₆	10 ¹¹ / ₁₆	10 ¹¹ / ₁₆	10 ¹¹ / ₁₆
H	1	1 ³ / ₁₆	1 ³ / ₁₆	1 ¹ / ₂	1 ¹ / ₂	1 ¹ / ₂
I	4 ¹³ / ₁₆	3 ⁷ / ₈	7 ¹ / ₄	6 ³ / ₁₆	6 ³ / ₁₆	6 ³ / ₁₆
J	3 ¹⁵ / ₁₆	4 ⁷ / ₈	5 ⁷ / ₁₆	6 ¹ / ₂	6 ¹ / ₂	6 ¹ / ₂
L	1 ¹¹ / ₁₆	1 ¹¹ / ₁₆	7 ¹ / ₁₆	7 ¹ / ₁₆	7 ¹ / ₁₆	7 ¹ / ₁₆
M	1	1 ¹ / ₈	1 ¹ / ₈	1 ⁵ / ₁₆	1 ⁵ / ₁₆	1 ⁵ / ₁₆
R†	9 ⁷ / ₈	12 ⁷ / ₈	12 ⁷ / ₈	18 ⁷ / ₈	18 ⁷ / ₈	24 ⁷ / ₈
T	1 ³ / ₁₆	1 ³ / ₁₆	1 ³ / ₁₆	7 ⁷ / ₈	7 ⁷ / ₈	5 ¹ / ₁₆
W	3	3	3	3 ⁵ / ₈	3 ⁵ / ₈	4 ¹ / ₈
X	5 ¹ / ₁₆	5 ¹ / ₁₆	5 ¹ / ₁₆	1 ¹ / ₂	1 ¹ / ₂	9 ¹ / ₁₆
Y	1 ¹ / ₁₆	1 ¹ / ₁₆	1 ¹ / ₁₆	3 ¹ / ₁₆	3 ¹ / ₁₆	2 ⁵ / ₈
AD	9 ³ / ₄	9 ³ / ₄	9 ³ / ₄	13	13	12 ¹ / ₂
AF	5	5	5	6	6	6
AG	3 ¹ / ₈	3 ¹ / ₈	3 ¹ / ₈	4 ³ / ₄	4 ³ / ₄	4
AI	4 ⁵ / ₈	4 ⁵ / ₈	4 ⁵ / ₈	5	5	5 ¹ / ₂
AJ	9 ³ / ₁₆	9 ³ / ₁₆	10 ³ / ₈	10 ¹³ / ₁₆	10 ¹³ / ₁₆	13 ¹ / ₈

† Based on 10 ft. lift and increases proportionately with longer lifts

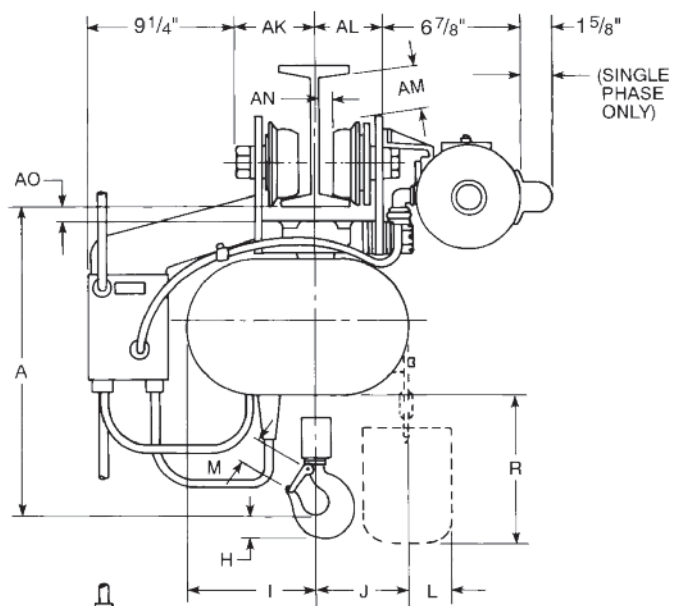
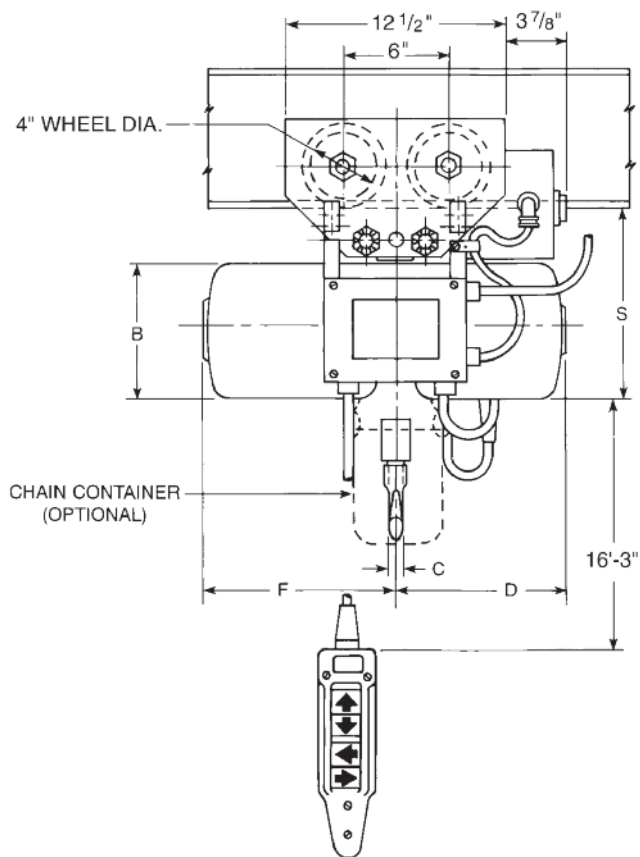
Dimensions T, W, X, Y, AI, and AJ are based on minimum beams and will vary proportionately for larger beams. 6'-3" drop of control station is for 10 foot lift hoist and increases proportionately for longer lifts.

Specifications For Series 635 Trolley

Rated capacity* (tons)	Product code	Models	Std. range of adjust. Am. standard S-beams		Tread diameter (in.)	Minimum radius curve (in.)	Approximate shipping weight (lbs.)
			Depth (in.)	Flange width (in.)			
1/8 to 1	3575	A – LL	4 – 15	2 ⁵ / ₈ – 5 ⁵ / ₈	3 ¹ / ₈	24	22
2	3569	R – RR	6 – 18	3 ³ / ₈ – 6	4 ³ / ₄	24	52
3	9576	RT – RRT	8 – 15	4 – 5 ⁵ / ₈	4 ³ / ₄	30	58

Note: Rigid lug suspension required for attaching to hoist. Apply for other than standard beam adjustment. Beam end stop omitted for picture clarity

Lodestar with Series 635 motor driven trolley



*** ⚠ WARNING**

Overloading and improper use can result in injury.

To avoid injury:

- Do not exceed working load limit, load rating capacity
- Do not use to lift people or loads over people.
- use only alloy chain for overhead lifting.
- Read and follow all instructions.



Lodestar with Series 635 motor driven trolley-Specifications

Clearance dimensions (in.)

Dimension	Lodestar models †					
	A,B,C,F and AA	E and H	J, L, JJ and LL	R	RR	RT and RRT
A	16 ^{13/16}	19 ^{3/4}	18 ^{1/2}	23 ^{3/4}	23 ^{3/4}	30 ^{1/8}
B	6 ^{1/8}	6 ^{1/8}	7 ^{5/8}	7 ^{5/8}	7 ^{5/8}	7 ^{5/8}
C	1 ^{1/16}	7/8	7/8	1 ^{1/8}	1 ^{1/8}	1 ^{1/8}
D	11	11	9 ^{1/2}	9 ^{1/2}	9 ^{1/2}	9 ^{1/2}
F	7 ^{3/4}	7 ^{3/4}	10 ^{11/16}	10 ^{11/16}	10 ^{11/16}	10 ^{11/16}
H	1	1 ^{3/16}	1 ^{3/16}	1 ^{1/2}	1 ^{1/2}	1 ^{1/2}
I	4 ^{13/16}	3 ^{7/8}	7 ^{1/4}	6 ^{3/16}	6 ^{3/16}	6 ^{3/16}
J	3 ^{15/16}	4 ^{7/8}	5 ^{7/16}	6 ^{1/2}	6 ^{1/2}	6 ^{1/2}
L	1 ^{11/16}	1 ^{11/16}	7/16	7/16	7/16	7/16
M	1	1 ^{1/8}	1 ^{1/8}	1 ^{5/16}	1 ^{5/16}	1 ^{5/16}
R**	9 ^{7/8}	12 ^{7/8}	12 ^{7/8}	18 ^{7/8}	18 ^{7/8}	24 ^{7/8}
S	9 ^{11/16}	9 ^{11/16}	10 ^{5/8}	10 ^{13/16}	10 ^{13/16}	13 ^{1/8}
AK	3 ^{3/4}	3 ^{3/4}	3 ^{3/4}	3 ^{3/4}	3 ^{3/4}	4 ^{1/4}
AL	3 ^{1/4}	3 ^{1/4}	3 ^{1/4}	3 ^{1/4}	3 ^{1/4}	3 ^{3/4}
AM	5/8	5/8	5/8	5/8	5/8	2 ^{5/8}
AN	5/16	5/16	5/16	5/16	5/16	9/16
AO	7/8	7/8	7/8	7/8	7/8	1

** Based on 10 ft. lift and increases proportionately with longer lifts

Dimensions S, AK, AL, AM, and AO are based on minimum beams and will vary proportionately for larger beams. 16'-3" drop of control station is for 20 foot lift hoist.

† Note: Rigid lug suspension required for attaching to hoist.

Suspension specifications

Type	Product code	Models
Rigid lug for motor driven trolley	2992	A-AA-B-C-F
Rigid lug for motor driven trolley	2993	E-H
Rigid lug for motor driven trolley	3679	J-L-JJ-LL
Rigid lug for motor driven trolley	3668	R-RR
Rigid lug for motor driven trolley	9561	RT-RRT

Note: Beam end stop omitted for picture clarity

Specifications — motor driven trolley

Rated capacity* (tons)	Product code	For use with model	Power supply	Standard travel speed (F.P.M.)	Motor H.P.	Std. range of adj. Am. std. S-beams		Minimum radius curve (in.)	Approx. shipping weight (lbs.)
						Depth (in.)	Flange width (in.)		
1/8 - 2	3670	A-RR	115-1-60	75	1/4	6 - 15	3 ^{3/8} - 5 ^{5/8}	30	118
1/8 - 2	3671	A-RR	230-3-60	75	1/4	6 - 15	3 ^{3/8} - 5 ^{5/8}	30	118
1/8 - 2	3672	A-RR	460-3-60	75	1/4	6 - 15	3 ^{3/8} - 5 ^{5/8}	30	118
3	9577	RT-RRT	115-1-60	75	1/4	8 - 15	4 - 5 ^{5/8}	30	120
3	9578	RT-RRT	230-3-60	75	1/4	8 - 15	4 - 5 ^{5/8}	30	120
3	9579	RT-RRT	460-3-60	75	1/4	8 - 15	4 - 5 ^{5/8}	30	120
1/8 - 2	9315	A-RR	115-1-60	30	1/4	6 - 15	3 ^{3/8} - 5 ^{5/8}	30	113
1/8 - 2	9316	A-RR	230-3-60	30	1/4	6 - 15	3 ^{3/8} - 5 ^{5/8}	30	113
1/8 - 2	9317	A-RR	460-3-60	30	1/4	6 - 15	3 ^{3/8} - 5 ^{5/8}	30	113
3	9318	RT-RRT	115-1-60	30	1/4	8 - 15	4 - 5 ^{5/8}	30	120
3	9319	RT-RRT	230-3-60	30	1/4	8 - 15	4 - 5 ^{5/8}	30	120
3	9320	RT-RRT	460-3-60	30	1/4	8 - 15	4 - 5 ^{5/8}	30	120

Can be modified to fit larger beams.
Flat tread wheel available.
Beam size and voltage required for ordering.

Apply for other than standard travel speeds.



Metal chain container

Made in U.S.A.

CM Lodestar chain containers complete

Maximum length of lift (ft.)

Product code	†Bucket length (in)	Bucket diameter (in)	Approx. shipping wgt. (lbs.)	Models A,AA,B C&F	Models E&H	Models J,JJ,L&LL	Models R & RR	Models RT & RRT
2450	8	5	4	10	–	–	–	–
2451	11	5	5	20	10	10	–	–
2452	14	5	5	30	15	15	–	–
2453	17	5	6	40	20	20	10	–
2454	20	5	7	50	25	25	–	–
2455	23	5	7	60	30	30	15	10
2456	31	5	9	90	45	40	20	–
2457	36	5	10	100	50	60	30	20
2458	48	5	13	140	*70	90	45	30
2461	10	10	13	44	22	20	14	9
2463	15	10	15	104	52	66	33	2210
2464	20	10	17	166	83	106	53	35
2465	25	10	20	230	115	144	72	48
2466	30	10	23	290	145	150	90	60

- Convenient for slack chain storage
- Simple one pin attachment for easy installation
- Security cable included
- Available for every Lodestar and Valustar model
- Made in U.S.A.

For lifts greater than listed (special)...apply.

† Advise if bucket length causes headroom problems, larger diameter shorter length buckets available.

* E & H limit switch maximum is 60 ft.

When ordering, specify code number(s), model, capacity, beam size, power supply, suspension, lift, extra control cord or power cord (if required) and type of electrification (if required).

Fabric chain bag

CM's chain bags offer an alternative to the standard metal chain container for use with Lodestar or Valustar electric chain hoists. Chain bags are made from an open weave vinyl coated polyester designed especially for extended outdoor life. Not recommended for applications over 300°F, in extremely caustic environments or for chain weight exceeding 300 lbs. Features include:

- Flexible and lightweight material
- Dampens noise
- Will not hold water
- Excellent resistance to ultraviolet rays, mildew stains, rot and weather
- Moisture resistant - quick drying
- High tensile and tear strength
- Abrasion resistant
- No shrinkage
- Bags and brackets are suitable for chain weights up to 300 pounds
- Made in U.S.A.



Specifications

Product code	Maximum length of lift (ft.)					Bag size (in.)	Bag height (in.)	Approx. weight (lbs.)
	Models A-AA-B-C-F WB-WF	Models E-H WH-WE	Models J,JJ,L,LL WL-WJ	Models R,RR WR	Models RT,RRT			
2470	20	10	–	–	–	7½ x 7½	7	3
2471	40	20	–	–	–	7½ x 7½	10	3
2472	60	30	–	–	–	7½ x 7½	13	3
2473	90	45	–	–	–	7½ x 7½	16	4
2474	100	60	–	–	–	7½ x 7½	18	4
2475	140	90	–	–	–	7½ x 7½	20	4
2476	–	–	10	–	–	7½ x 7½	7	3
2477	–	–	20	10	–	7½ x 7½	10	3
2478	–	–	30	15	10	7½ x 7½	13	3
2479	–	–	45	20	–	7½ x 7½	16	4
2480	–	–	60	30	20	7½ x 7½	18	4
2481	–	–	90	45	30	7½ x 7½	20	4