

## DT DIE LIFTING TONGS STANDARD SUPPORT TYPE

### PRODUCT FEATURES

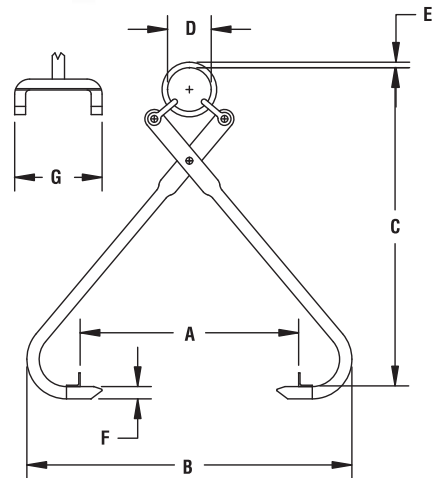
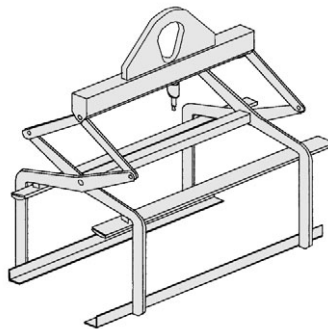
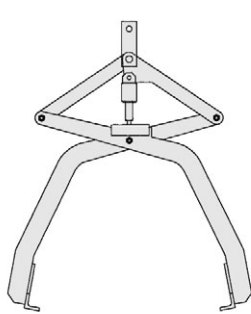
- Broad capacity range.
- Low headroom design.
- Painted safety red.
- Complies with ASME standards.

### APPLICATION IDEAS FOR SUPPORTING TONGS

TO LIFT CONSTANT SIZED BOXES,  
CONTAINERS AND CRATES

**SUPPORT TONGS** are used for constant sized containers. It has an arm design that allows significant height on the lifted item and includes an Auto-Latch mechanism for single person control. This Auto-Latch allows the operator to position, engage, lift, move, place and disengage the lifted item without assistance from another individual or without moving from the crane/hoist control station.

Support Tongs are also available with the Auto-Latch and added length to handle longer loads. The top guide stops simplify the auto-engagement and single operator use.



### SPECIFICATIONS

Model Number	Capacity (lbs.)	Dimensions (inches)								Weight (lbs.)
		Max. A	B	C	D	E	F	G	H	
<b>DT120</b>	2000	20	29 3/4	29	4	5/8	1	8	7	29
<b>DT12528</b>	2500	28	40 1/4	39	5	3/4	1 1/4	8	9 1/2	52
<b>DT1538</b>	3000	38	51 3/4	47 1/2	6	7/8	1 1/2	10	10 3/4	86