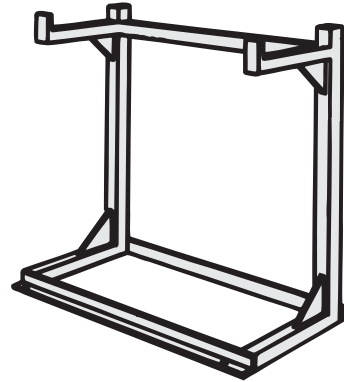


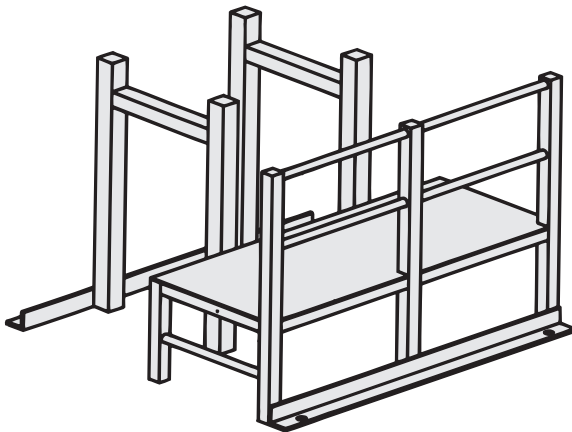
PARKING STANDS FOR COIL LIFTERS

PRODUCT FEATURES:

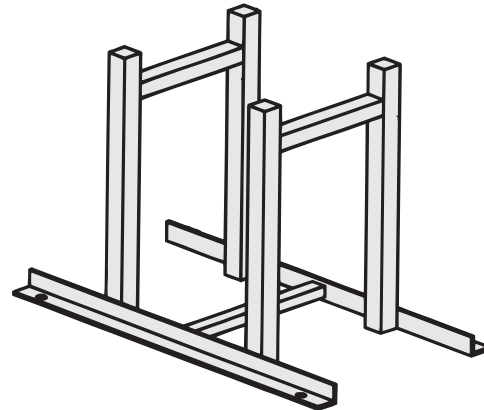
- Individually designed for your lifter's size and capacity.
- Heavy duty tubular construction.
- Minimizes lifter storage space requirements.
- Stabilizes lifter for personnel safety.
- Allows for easy access to lifter.
- Allows for easy inspection of lifter.
- Minimizes time required to engage lifter with crane hook.



Used to store all C-Hook type lifters (Models: HDC, SCC, CSC).



For storage and maintenance of two sided lifters. Personnel platforms provide ease of access to drive system for maintenance and inspection of motorized units.



For storage of two sided coil lifters (Models: HTC and NCL).

COIL LIFTERS & UPENDERS