

SERIES 700

SHAW-BOX 700 Series wire rope hoists are designed and manufactured for heavy-duty service. This workhorse is built to deliver, day-in and day-out, under tough operating conditions. 700 Series hoists are built to take even the most demanding job cycles in stride, yet can be relied upon to handle your most delicate loads with precision control.

Their compact design, with high hook lift and closer end approaches, maximizes hook coverage within an existing facility, reducing or eliminating the need for costly rebuilding or remodeling. 700 Series hoists achieve an unusually high hook lift, without resorting to design compromises.

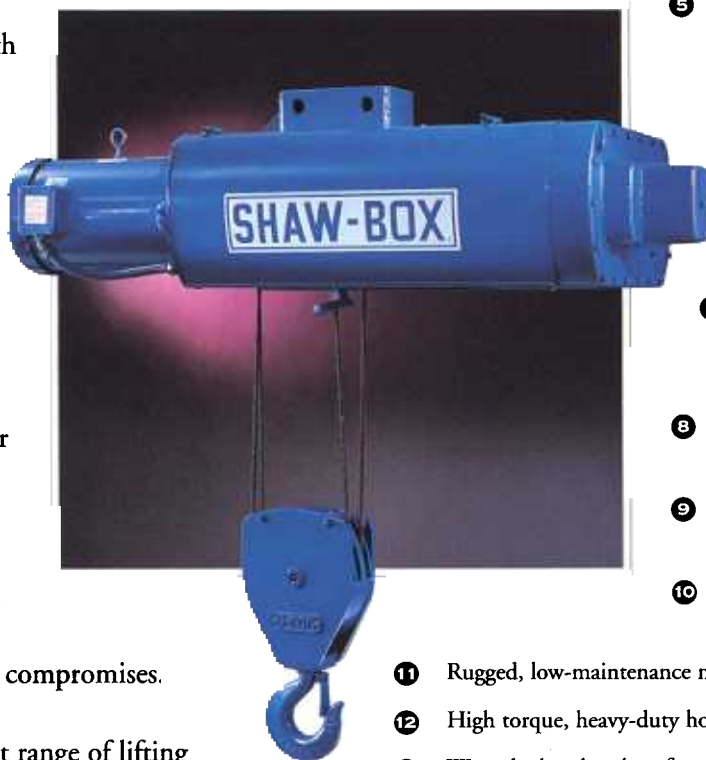
This line offers the greatest range of lifting speeds, controls, headroom and mounting options of any hoists on the market today. 700 Series hoists are available in both electric and air powered models. Options include standard and low headroom, deck and base mounted models, with a choice of single reeving or true vertical lift.

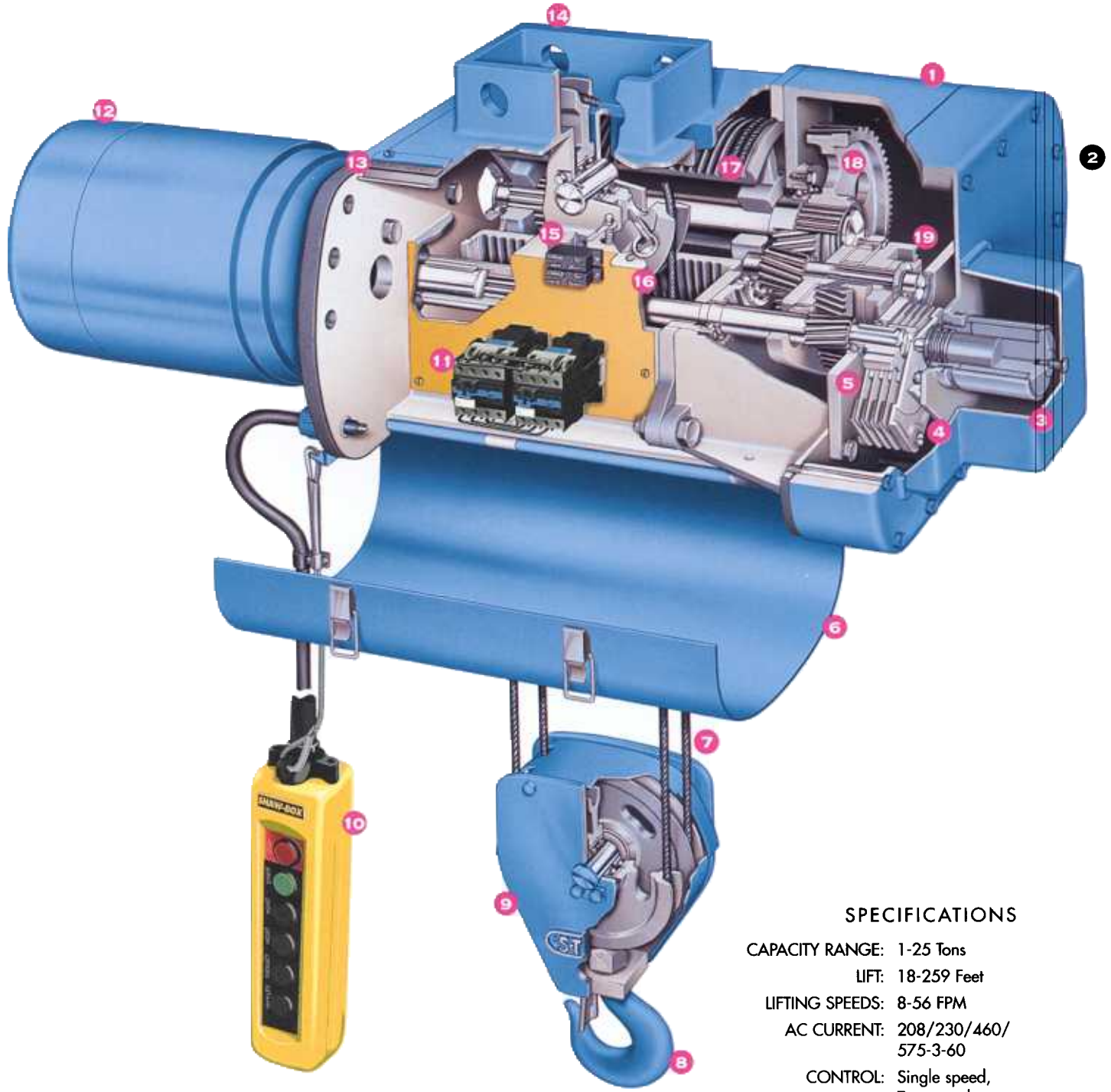
The lug is integral with the all-steel, one-piece welded

frame, and is designed for stationary mounting from an overhead structure or with any of our trolley options.

FEATURES

- ❶ One-piece welded steel frame ensures precise fit and long hoisting machinery life
- ❷ Alloy aluminum gear case and cover is lightweight yet rugged
- ❸ Direct acting D.C. brake solenoid for smooth braking action
- ❹ Multiple disc motor brake for long life and maximum braking efficiency
- ❺ Bearings supported in an independent gear case spider give a precise fit, and allow removal of the gear case cover without disassembly of the gearing
- ❻ Hinged control panel cover permits easy access to the control components
- ❼ Improved plow steel preformed wire rope for maximum strength and life
- ❽ Full-swiveling, heat-treated forged steel hook with spring loaded latch
- ❾ Shrouded lower block to help prevent pinched fingers
- ❿ Push-button control pendant for easy one-handed operation
- ⓫ Rugged, low-maintenance magnetic contactor control
- ⓬ High torque, heavy-duty hoist motor for smooth load handling
- ⓭ Watershed and gaskets for tight frame cover seal and protection of internal components
- ⓮ Integrally welded mounting lug permits various trolley attachment options
- ⓯ Block operated limit switch limits upward hook travel
- ⓰ Rope anchor, easily accessible for inspection and maintenance
- ⓱ Deep grooved, large diameter rope drum helps prevent rope overwrap for longer rope life
- ⓲ Double reduction helical gearing provides a smooth, quiet drive train
- ⓳ Positive action mechanical load lowering control brake, also acts as a part of the hoist holding brake system





SPECIFICATIONS

- CAPACITY RANGE: 1-25 Tons
- LIFT: 18-259 Feet
- LIFTING SPEEDS: 8-56 FPM
- AC CURRENT: 208/230/460/
575-3-60
- CONTROL: Single speed,
Two speed,
Variable Frequency Control
- SUSPENSION: Lug, Push Trolley,
Hand Geared Trolley,
Motor Driven Trolley,
Deck and Base