

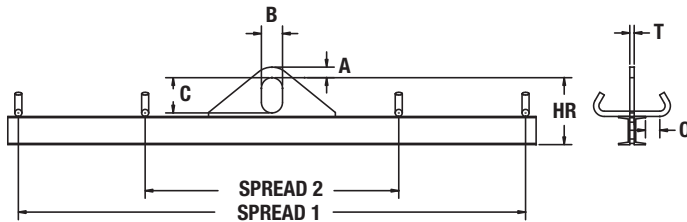
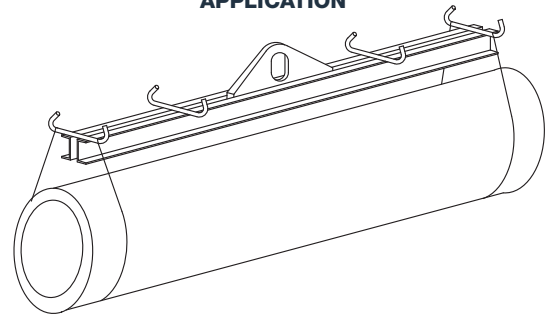
## TBSB FIXED TWIN BASKET SLING LIFTING BEAM



### PRODUCT FEATURES

- Designed to be used with slings in a basket hitch.
- Provides greatest clearance in low headroom applications.
- Two sets of bent bar hooks are standard on units with a spread of 6 feet and greater.
- Spread 2 is 1/2 of spread 1.
- Hooks are designed to handle up to a 2" sling eye width.
- Complies with ASME standards.

### APPLICATION



### SPECIFICATIONS

Capacity (tons)	Model Number HR Headroom (in.) Weight (lbs.)	Spread (feet)						Other Dimensions (in.)	
		3*	4*	6	8	10	12		
1/2	<b>Model Number</b>	<b>TBSB10003</b>	<b>TBSB10004</b>	<b>TBSB10006</b>	<b>TBSB10008</b>	<b>TBSB100010</b>	<b>TBSB100012</b>	A=7/8	T=3/4
	<b>HR Headroom</b>	8-1/2	8-1/2	8-1/2	8-1/2	8-1/2	9-1/2	B=3	O=2
1	<b>Weight</b>	40	48	78	95	113	171	C=5	
	<b>Model Number</b>	<b>TBSB13</b>	<b>TBSB14</b>	<b>TBSB16</b>	<b>TBSB18</b>	<b>TBSB110</b>	<b>TBSB112</b>	A=7/8	T=3/4
2	<b>HR Headroom</b>	8-1/2	8-1/2	9-1/2	10-1/2	10-1/2	11-1/2	B=3	O=2
	<b>Weight</b>	40	48	93	136	175	239	C=5	
5	<b>Model Number</b>	<b>TBSB23</b>	<b>TBSB24</b>	<b>TBSB26</b>	<b>TBSB28</b>	<b>TBSB210</b>	<b>TBSB212</b>	A=7/8	T=3/4
	<b>HR Headroom</b>	9-1/2	10-1/2	10-1/2	11-1/2	12-1/2	13-1/2	B=3	O=2
7 1/2	<b>Weight</b>	52	75	139	169	246	326	C=5	
	<b>Model Number</b>	<b>TBSB53</b>	<b>TBSB54</b>	<b>TBSB56</b>	<b>TBSB58</b>	<b>TBSB510</b>	<b>TBSB512</b>	A=2	T=1-1/4
7 1/2	<b>HR Headroom</b>	13-1/2	14-1/2	15-1/2	16-1/2	17-1/2	19-1/2	B=4	O=2
	<b>Weight</b>	104	135	211	310	423	618	C=7	
7 1/2	<b>Model Number</b>	<b>TBSB753</b>	<b>TBSB754</b>	<b>TBSB756</b>	<b>TBSB758</b>			A=2	T=1-1/4
	<b>HR Headroom</b>	12	14	15	17			B=4	O=2
7 1/2	<b>Weight</b>	125	185	315	475			C=7	

\* 3 ft. and 4 ft. beams are provided with one set of bent bar hooks.

