



IM 6000

In - Motion Scale System

Fairbanks' High-speed Solution for Accurate In-motion Weighing!



- Parcel shipping
- Efficient truck loading
- Random weight capture
- Acceptable tolerance checks
- High speed sizing/bar coding



Featuring the only scale instrument to run on a Windows® XP platform, the IM 6000 In-Motion System captures more than 100 weight readings per second at belt speeds up to 440 feet per minute!



NTEP Approved System

Take a virtual tour: WWW.FAIRBANKS.COM/IM6000



IM 6000

High-Speed In-Motion System

FAIRBANKS SOLUTION FOR FAST,

IM 6000 SYSTEM SETS NEW STANDARD FOR IN-MOTION WEIGHING

The IM 6000 In-Motion System is designed to make package weight information easy to collect and process. The system is available in many different lengths, widths and speeds for application flexibility and ensured compatibility with existing conveyor lines.

At the heart of the system lies Fairbanks' innovative FB 3000 Solution Series Instrument, the only scale instrument that runs on a Windows® XP platform.

The FB 3000 not only displays the weight information collected by the IM 6000, it can output to data terminals, printers or PLCs via serial or ethernet connections for seamless data acquisition.

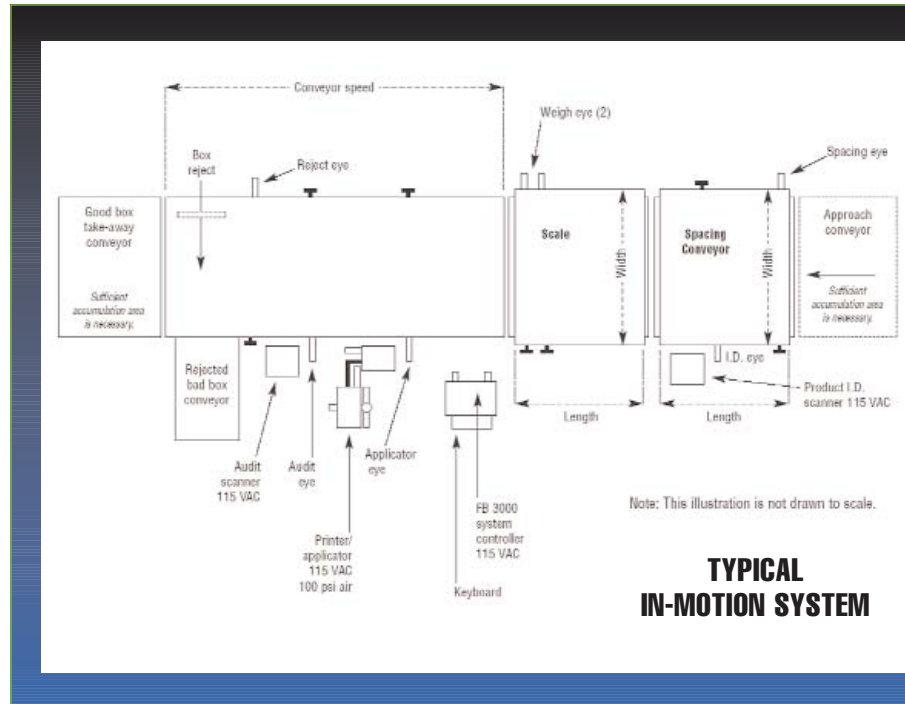


More than 100 weight readings are taken, then averaged, as a box speeds over the scale.

ACCURACY

The IM 6000 In-Motion System has proven accuracy. The system is NTEP approved at 100 lbs x .1 lb. It continually runs internal diagnostics to identify operator errors such as incorrect box spacing or excessive package length — information that's critical in high-production areas.

These internal safeguards ensure accuracy and the smooth operation of the in-motion system.



TYPICAL IN-MOTION SYSTEM

Fairbanks' Solutions Group will work with you to develop a custom in-motion configuration for your operation.

EXCEPTIONAL CONVEYOR FEATURES

- Sealed bearings for low maintenance.
- 15 minute belt change to minimize downtime.
- Rack and pinion belt tensioning for fast, accurate adjustment/replacement.
- V-groove belt and bed plate provides positive belt tracking.
- Belt take-up indicator allows for quick reading of remaining belt life.
- Design prevents excessive belt stretching.
- Strong, box-like construction resists damaging frame twist.

Reliable Performance and Easy to Service

The IM 6000 System prototype ran around the clock for 15 months at a high-volume (16,000-24,000 boxes a day), package shipping facility before mechanical servicing was required. Because the

conveyor assembly is so easy to maintain and repair, the shipping company's own technician replaced the belt and had the system back on line in under 30 minutes.



Take a Virtual Tour at WWW.FAIRBANKS.COM/INMOTION

Call your local Fairbanks representative to schedule an on-site IM 6000 presentation.



ACCURATE IN-MOTION BOX WEIGHING

THE CONVEYOR ASSEMBLY



In - motion Scale



NTEP approved for commercial applications.

HOW THE SYSTEM WORKS

- Conveyed boxes, with appropriate spacing between them, enter the scale conveyor at the designated belt speed.
- The weighing process is triggered by the leading edge of the box.
- The high-speed indicator starts sampling the weight as the box moves across the scale, reading over 100 weights per second, depending upon the configuration.
- The front edge of the box exiting the scale stops the sampling process, and the indicator evaluates all of the weight readings to produce the most accurate scale output.
- The information is then available on screen or for communication over a designated network, such as RS232, Ethernet, or other defined communication

THE INSTRUMENT

The FB 3000 Solution Series Instrument features a blazing fast Analog to Digital Converter coupled with unparalleled flexibility in data communications and data acquisition options.

Leasing

Convenient, affordable leasing options available through Fairlease. Ask your Fairbanks sales representative for details.



Cost-Saving Advantages of IM 6000 Options

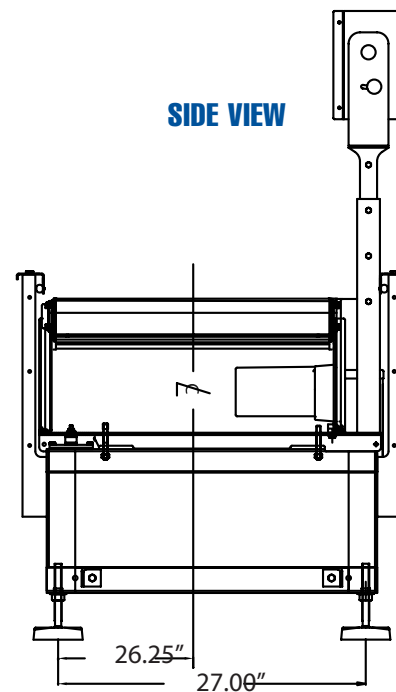
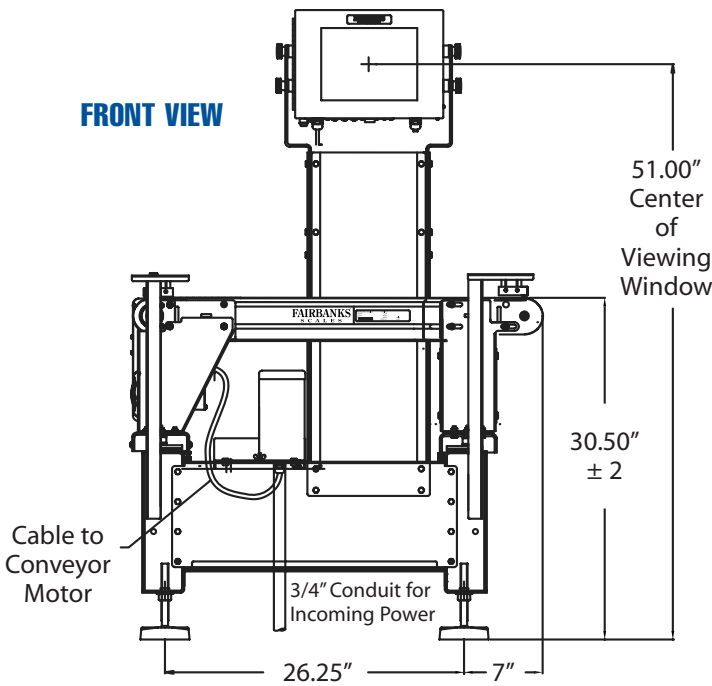
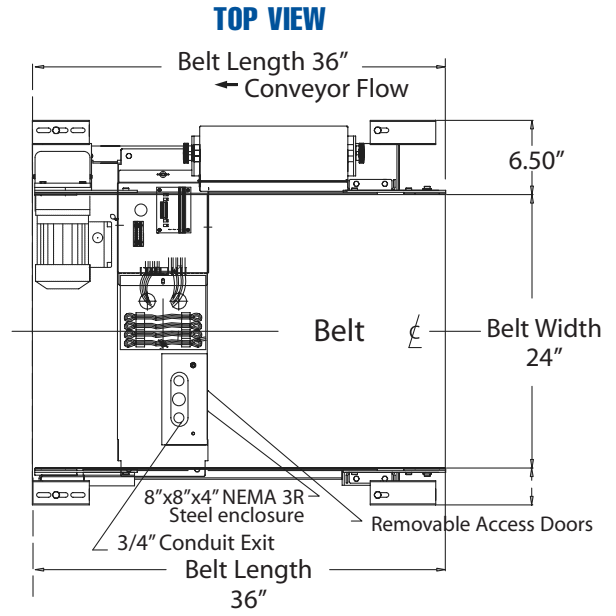
- High-speed Bar Coding reduces overhead and increases efficiency.
- Aids in truck loading and cubing, decreasing transportation costs.
- Use as an advanced checkweigher to control product give-away.

IM 6000

In - Motion Scale System

SPECIFICATIONS — CONVEYOR ASSEMBLY

- Induction belt 60 fpm to 440 fpm
- Parcels per minute Dependent on scale length and belt speed
- Maximum package length Dependent on scale length
- Maximum table length 72"
- Minimum package weight 2 lbs x 0.1 lb
- Maximum package weight 100 lbs x 0.1 lb
- Capacity 100 lbs x 0.1 lb
- Overload protection 100%
- Operating temperature 0° F to 120° F
- Data output Programmable for custom output strings
- Serial ports RS-232, 485, 422
- Packages Should be singulated prior to weighing
- Error handling If error condition is recorded, an estimated weight value is displayed
- 230/480V 3 phase available at site for conveyor
- 110V Available at site for instrument
- Optical triggers Cutler Hammer
- Options Conveyor Assembly, Rub Rails, Protective Support Shroud
- Approval NTEP COC #05-089A3



Call toll-free for the representative nearest you:

(800) 451-4107

Call between 8:00 a.m. – 5:00 p.m. CST
Corporate Offices: 821 Locust • Kansas City, MO 64106 • (816) 471-0231
Internet Address: <http://www.Fairbanks.com>



St. Johnsbury manufacturing facility registered in compliance with ISO 9001:2000.

