

Newcastle Company, Inc.

Gantry Type Sheet & Board Dispenser/Stacker Model RM-975

Phone: 724-658-4516 ■ Fax: 724-658-5100 ■ E-Mail: ncco@newcastleco.com



RM-975 Dispenses Sheets to a Conveyor

RM-975 Places Tier Sheet on Palletized Product



Features

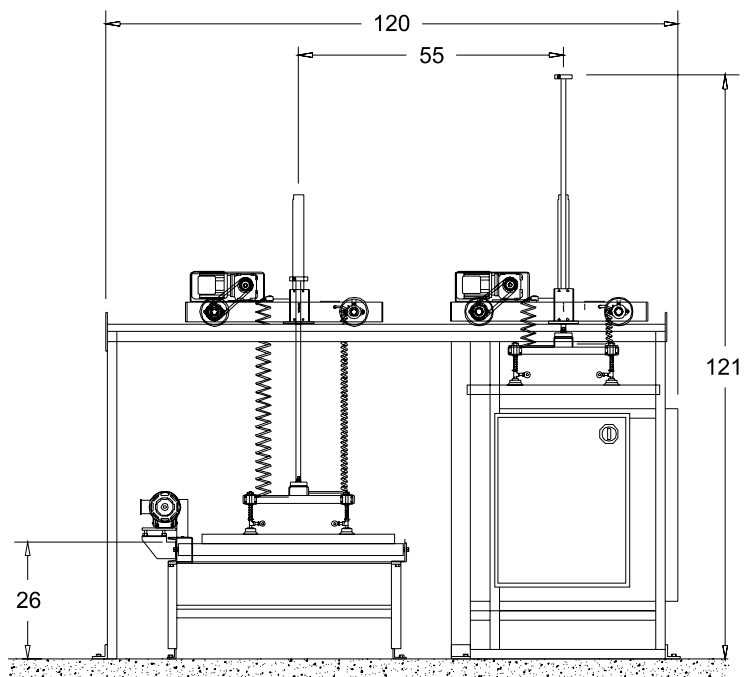
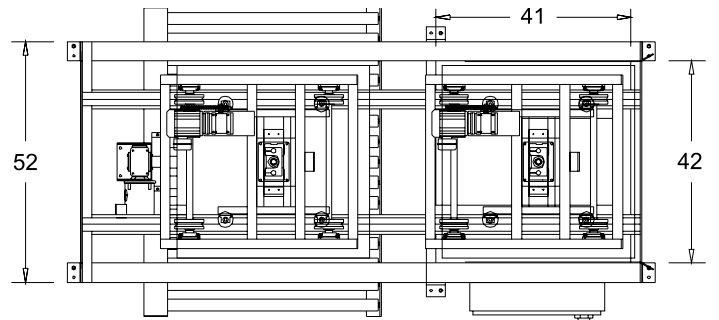
- Dispenses tie, top, slip sheets or plywood captive boards automatically
- Vacuum sheet and board pickup
- 2 cycles per minute
- Horizontal travel via motorized carriage
- Magazine capacities to suit

Description

The RM-975 automatically dispenses sheets or captive boards for palletizing or load transferring operations.

Operation

Single sheets or captive boards up to 1-1/2" thick are automatically lifted from a storage magazine with a set of vacuum pads. A carriage assembly transfers the sheet or board horizontally to one of two pickup stations where it is lowered and released. Sheet or board loading is in-line or right angle to dispenser.



Typical Machine Configuration