

JIB CRANES ENCLOSED TRACK WORKSTATION

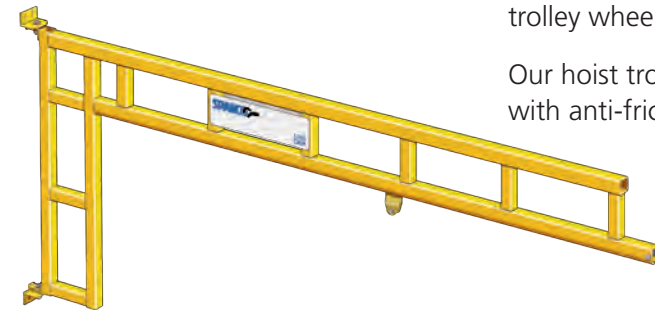
500, 501 SERIES

ERGONOMIC JIB CRANES FOR FASTER BOOM ROTATION



500 Series

*Freestanding
Enclosed Track
Workstation Jib Crane*



501 Series

*Wall-Mounted
Enclosed Track
Workstation Jib Crane*

Spanco 500 and 501-Series Workstation Jib Cranes

offer easy fast ergonomic lifting for a wide variety of Class B service applications. Featuring lightweight booms, these agile cranes are easy to start and stop, faster to rotate than I-beam cranes, and offer excellent return on investment.

At the heart of our Workstation Jib Cranes are our smooth-running enclosed track and trolleys. The self-cleaning track prevents dust, debris, or ice from accumulating, while its V-shaped profile ensures accurate trolley wheel alignment to minimize friction and wear.

Our hoist trolleys have large-diameter, polyamide wheels with anti-friction ball bearings.

ENCLOSED TRACK OPTIONS:

- Steel Track: rolled from ASTM A572, A607, or A715 grade steel; available with enamel, powder, epoxy, or galvanized coatings
- Mylar™ Lip Seal: for additional track protection from very heavy dust or paint overspray applications

The Spanco V-Shaped Profile

prevents dust and debris from accumulating on the track. The self-cleaning V-shape also maintains wheel alignment for end trucks and trolleys, so they always glide effortlessly, day after day. Plus, the enclosed track continuously protects wheels from harm.



*End profile of track with
trolley wheel; design
provides self-centering
and self-cleaning*

ENCLOSED TRACK WORKSTATION JIB CRANES

Workstation Jib Cranes	Boom Rotation	Capacities	Spans	Height Under Boom	Powered Rotation
500 Series Freestanding	360°	Up to 1,000 lbs	Up to 16'	Up to 12'	N/A
500 Series with Portable Base	360°	Up to 1,000 lbs	Up to 16'	Up to 12'	N/A
501 Series Wall-Mounted	180°	Up to 1,000 lbs	Up to 16'	Determined by Application	N/A

WORKSTATION JIB CRANE OPTIONS

- Electric collector rings or air swivels for continuous rotation
- Rotation stops for limiting boom rotation (to protect nearby structures, etc.)
- Vacuum hose trolley that fits a hose up to two inches in diameter
- Trolleys for any hook-mounted device
- Trolley options: steel wheels, zinc chromate-plated finish, or bronze wheels with bronze guide rollers
- Festoon Flat Cable: 4-conductor
- Air Hose Festooning: 3/8-inch in diameter
- Anchor bolts and bolt pattern templates for easy installation



A worker stacks boxes of packaged food onto a pallet using a Spanco 150-Pound Capacity Freestanding Workstation Jib Crane with a vacuum attachment.

JIB CRANES

ENCLOSED-TRACK WORKSTATION

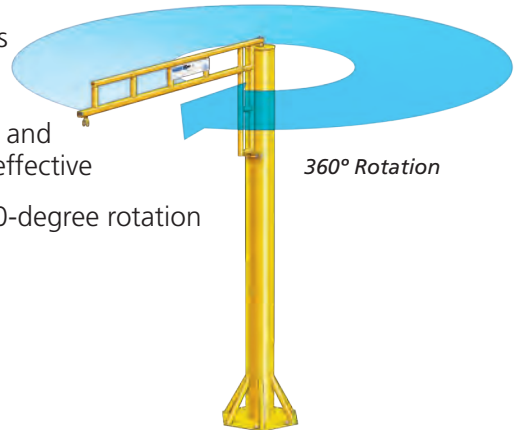
500, 501 SERIES

500 Series
Freestanding
Enclosed Track
Workstation Jib Crane



Freestanding Floor-Mounted Workstation Jib Cranes

- Mounting plates attach with anchor bolts to standard six-inch reinforced concrete floor or to new foundations for special load conditions
- Smaller capacity cranes use square mounting plates with welded gussets connected to the mast; each plate uses four anchor bolts
- Larger capacity cranes use hexagonal mounting plates with welded gussets connected to the mast; each plate uses six anchor bolts
- Welded gussets are stronger than plates, resist buckling, and are more cost effective
- Provide full 360-degree rotation



Freestanding Workstation Jib Crane with Portable Base

Portable Freestanding Workstation Jib Cranes

These workstation jib cranes have all of the features of our floor mounted models, except with counterweight bases. With their forklift pockets, they're ideal for facilities needing flexible workflows and/or modular workstations.

- From 100 lbs. capacity with 16' span; up to 1,000 lbs. capacity with 12' span

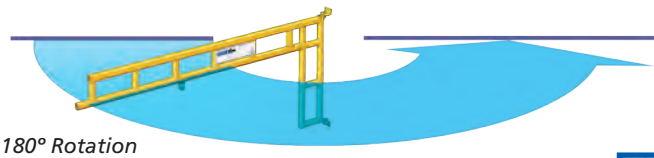
Spanco Wall-Mounted Workstation Jib Cranes

are agile and ergonomic lift solutions that transfer loads quickly. The crane bolts to your existing wall or column to cover individual workstations or supplement larger overhead cranes. Wall-mounted workstations fold out of the way to make room for larger equipment and preserve precious factory floor space.

- Bolts to existing wall or column
- Bronze bearings at the pivot points ensure easy rotation
- Provides easy 180-degree rotation



501 Series
Wall-Mounted
Workstation Jib Crane



Parts are carefully lifted and positioned into this machine tool using a Spanco 500-Series Freestanding Workstation Jib Crane.